

THE INFORMATION CONTAINED IN THIS DRAWING IS THE SOLE PROPERTY OF ENGINE TECHNOLOGIES, INC. ANY REPRODUCTION IN PART OR WHOLE WITHOUT THE WRITTEN PERMISSION OF ENGINE TECHNOLOGIES, INC. IS PROHIBITED.

PREVIOUS PART NUMBER: ETI-B-5006

REVISIONS			
REV	DESCRIPTION	DATE	APPROVED
A	EO # 1398	7/10/13	J. NELL

NOTE: THE INSTALLATION OF A "SUPPLEMENTAL OXYGEN SYSTEM" IS AN OPTIONAL UPGRADE TO STC(S) SA5223NM AND SE5222NM.

SUPPLEMENTAL OXYGEN SYSTEM INSTALLATION

AIRCRAFT MODEL(S): S35, V35, V35A, V35B, 35-C33A, E33A, F33A, AND G33

HORIZONTALLY MOUNTED 77FT³ BOTTLE
LOCATED FORWARD OF THE PILOTS SEAT (STA 85.0)

CONTROLLED BY A
REMOTE MOUNTED
ELECTRICALLY OPERATED
PRESSURE GAGE
WITH AN ON/OFF SWITCH

PANEL MOUNTED GAGE


LOW PRESSURE TUBING

USER PORTS

CANNULAS

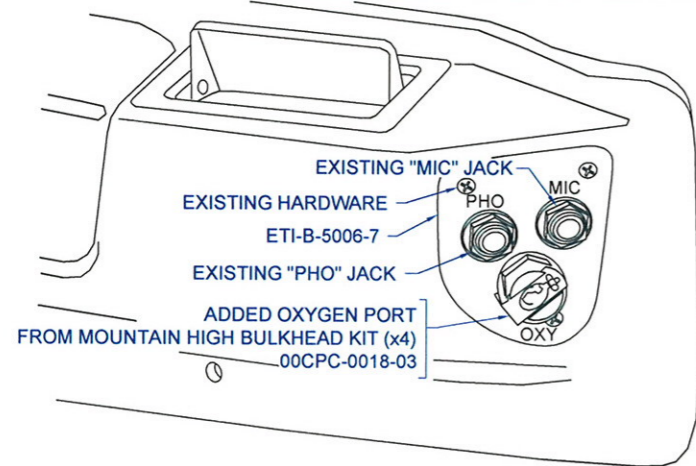
NOTE: BOTTLE(S) SHALL CONFORM TO DOT EXEMPTION E-8162 AS PRODUCED IAW MANUFACTURERS CERTIFICATION.

OPTIONAL OF USING TYGON® COMMERCIAL GRADE TUBING (FORMULATION B-44-3 OR B-44-4X OR OTHER EQUIVALENT) AS AN OPTIONAL REPLACEMENT OF THE OXYGEN LINES.

UNLESS OTHERWISE SPECIFIED DIMENSIONS ARE IN INCHES TOLERANCES ARE				400 AIRPORT ROAD ADA, OKLAHOMA 74820		
DECIMALS	ANGLES	FORMED		TITLE:		
.00±.06	MACH.	±0°30'	±1°	DRAWN:	CALEB CHRISTIAN 2/23/09	
.000±.010	FRACTIONS: ± 1/16		CHECK:	K. CHAMBLESS 9/23/09	LAY DOWN BOTTLE OXYGEN SYSTEM	
STRESS:		APPROVED:		G. BRALY 9/23/09		DRAWING NO.: 35-4950003
SCALE: NTS		CAD DRAWING:		REV: A		

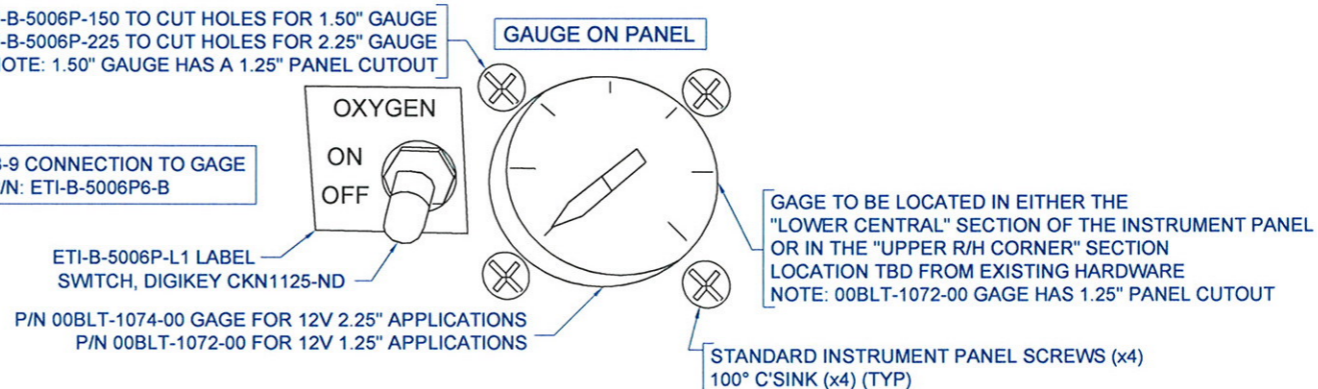
THE INFORMATION CONTAINED IN THIS DRAWING IS THE SOLE PROPERTY OF ENGINE TECHNOLOGIES, INC. ANY REPRODUCTION IN PART OR WHOLE WITHOUT THE WRITTEN PERMISSION OF ENGINE TECHNOLOGIES, INC. IS PROHIBITED.

VIEW LOOKING AT LEFT SIDE ARM REST MOUNTED OXYGEN PORT

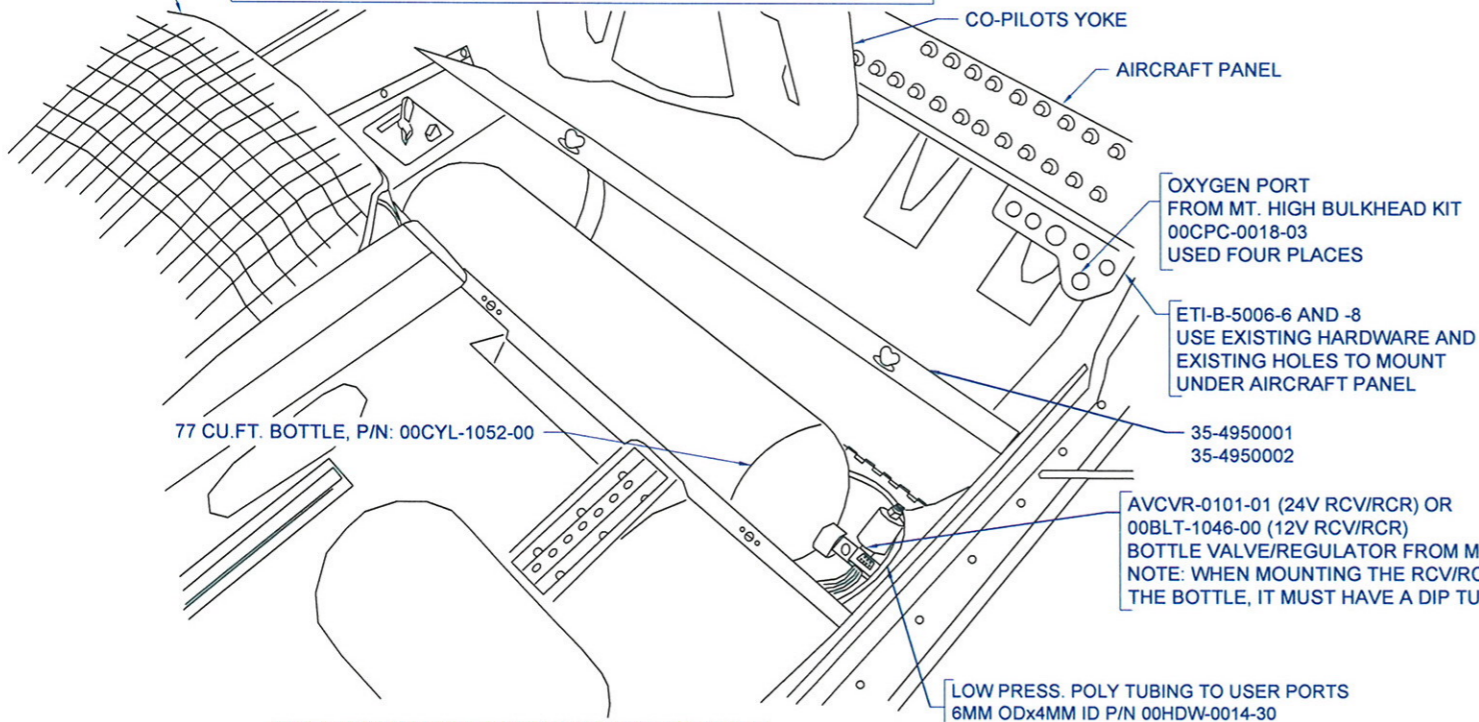


USE TEMPLATE ETI-B-5006P-150 TO CUT HOLES FOR 1.50" GAUGE
 USE TEMPLATE ETI-B-5006P-225 TO CUT HOLES FOR 2.25" GAUGE
 NOTE: 1.50" GAUGE HAS A 1.25" PANEL CUTOUT

NOTE: DB-9 CONNECTION TO GAGE
 P/N: ETI-B-5006P6-B



VIEW LOOKING FROM CABIN DOOR AT INSTALLED BOTTLE



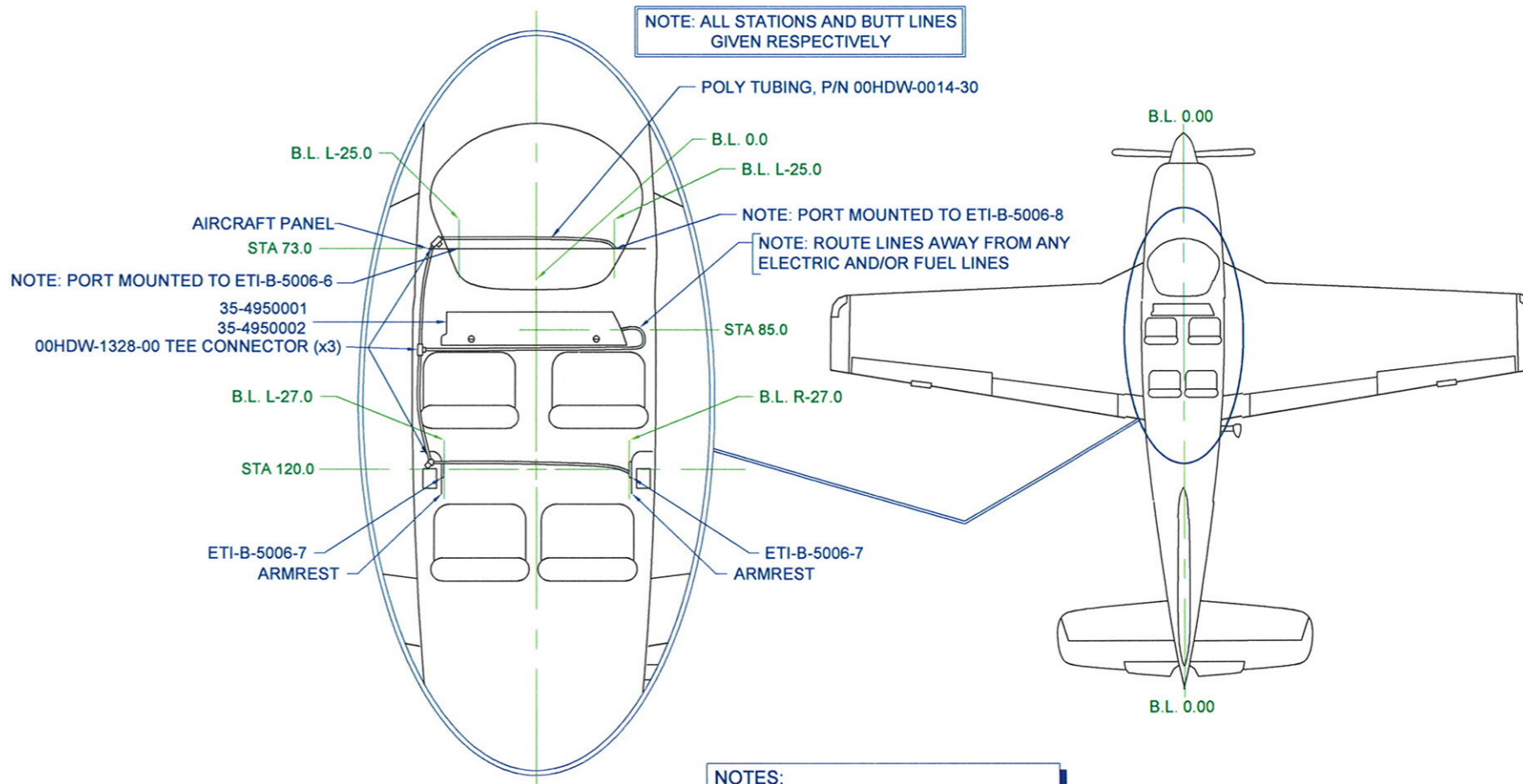
NOTE: CO-PILOTS SEAT REMOVED FROM THIS VIEW

NOTES:
 1. DRILL HOLES AS NEEDED.
 2. TRIM BRACKETS/ETC AS NEEDED.
 3. VIEWS NOT TO SCALE.

QTY.	PART NUMBER	NOTES	DESCRIPTION
UNLESS OTHERWISE SPECIFIED			
DIMENSIONS ARE IN INCHES			
TOLERANCES ARE			
DECIMALS	ANGLES		
.00±.06	MACH.	FORMED	
.000±.010	±0°30'	±1°	
FRACTIONS: ± 1/16			
		DRAWN:	CALEB CHRISTIAN 5/11/08
		CHECK:	K. CHAMBLESS 9/23/09
		STRESS:	
		APPROVED:	G. BRALY 9/23/09
		TITLE:	LAY DOWN BOTTLE OXYGEN SYSTEM
		DRAWING NO.:	35-4950003
		SCALE: NTS	CAD DRAWING: SHEET: 2 OF 4

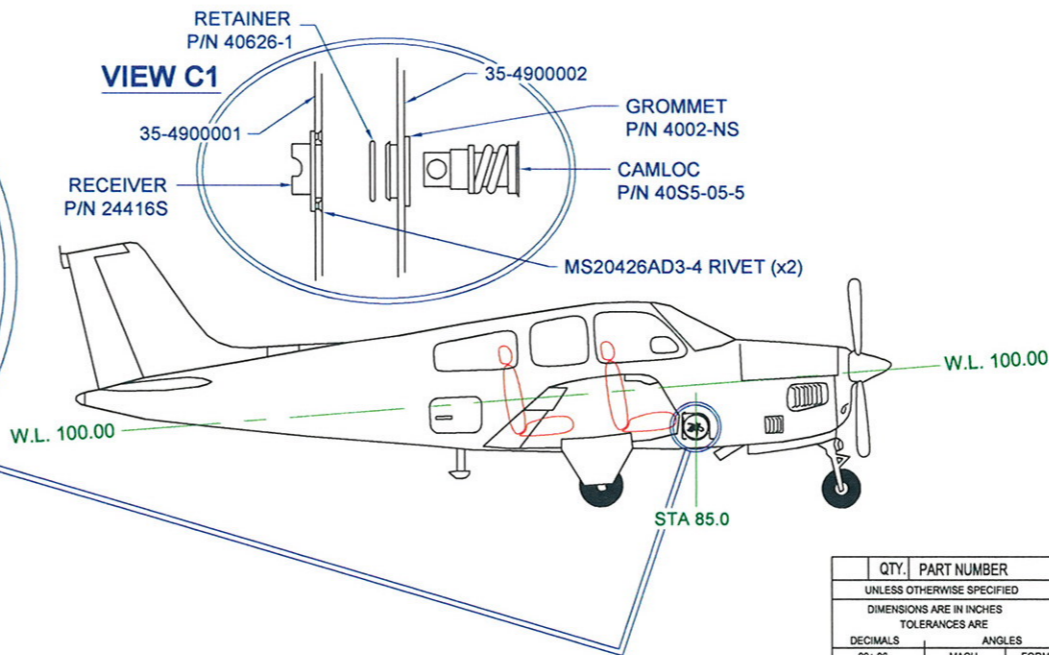
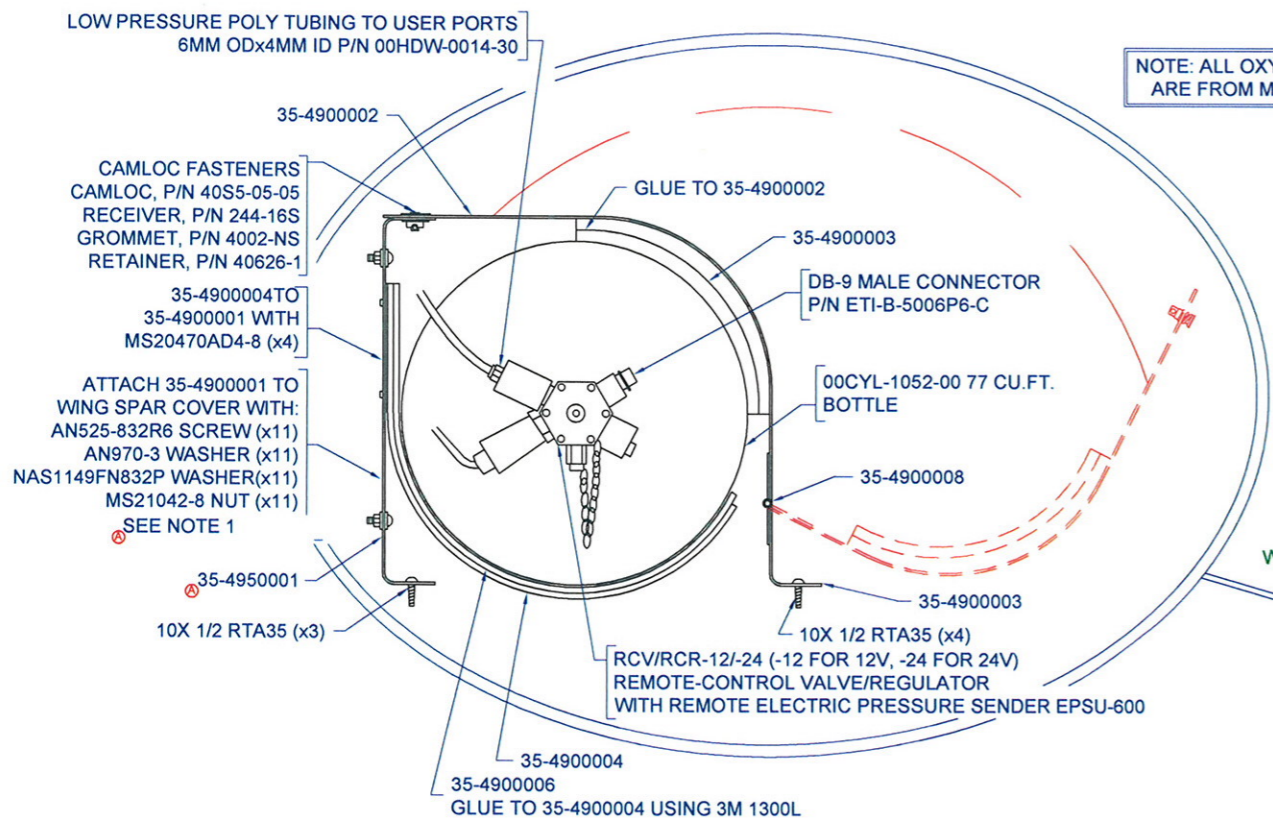
NOTES:

1.) 35-4950001 OXYGEN LID MOUNT ASSEMBLY HAS 11 HOLES IN THE LID MOUNT ASSEMBLY TO ATTACH TO THE WING SPAR COVER USING HARDWARE LISTED. IN SOME CASES, A FEW OF THOSE HOLES MAY NOT BE LOCATED PROPERLY TO ALLOW ATTACHMENTS TO THE WING SPAR COVER DUE TO THE VARIOUS SHAPES AND INDENTATIONS OF THE WING SPAR COVERS IN DIFFERENT AIRCRAFT. DRILL ADDITIONAL 11/64 DIAMETER HOLES NEAR THE EXISTING HOLES IN APPROPRIATE LOCATIONS TO ALLOW ATTACHMENT OF THE 35-4950001 OXYGEN LID MOUNT ASSEMBLY TO THE WING SPAR COVER. ATTACH USING LISTED HARDWARE IN THOSE HOLES.



NOTES:
 1. DRILL HOLES AS NEEDED.
 2. TRIM BRACKETS/ETC AS NEEDED.
 3. VIEWS NOT TO SCALE.

NOTE: ALL OXYGEN COMPONENTS USED ON THIS PAGE ARE FROM MOUNTAIN HIGH EXCEPT WHERE NOTED.



QTY.	PART NUMBER	NOTES	DESCRIPTION
UNLESS OTHERWISE SPECIFIED DIMENSIONS ARE IN INCHES TOLERANCES ARE			
DECIMALS	ANGLES		
.00±.06	MACH	FORMED	
.000±.010	±0°30'	±1°	
FRACTIONS: ± 1/16			
		DRAWN: CALEB CHRISTIAN 5/11/08	TITLE: LAY DOWN BOTTLE OXYGEN SYSTEM
		CHECK: K. CHAMBLESS 9/23/09	DRAWING NO.: 35-4950003
		STRESS:	REV. A
		APPROVED: G. BRALY 9/23/09	SHEET: 3 OF 4
SCALE: NTS		CAD DRAWING:	

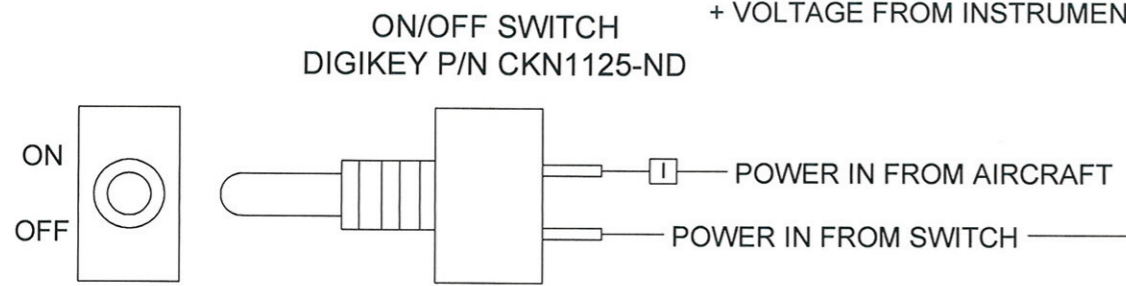
400 AIRPORT ROAD
 ADA, OKLAHOMA 74820

THE INFORMATION CONTAINED IN THIS DRAWING IS THE SOLE PROPERTY OF ENGINE TECHNOLOGIES, INC. ANY REPRODUCTION IN PART OR WHOLE WITHOUT THE WRITTEN PERMISSION OF ENGINE TECHNOLOGIES, INC. IS PROHIBITED.

NOTE:
 GAGE P/N 00BLT-1072-00 (1.25" GAGE)
 GAGE P/N 00BLT-1074-00 (2.25" GAGE)

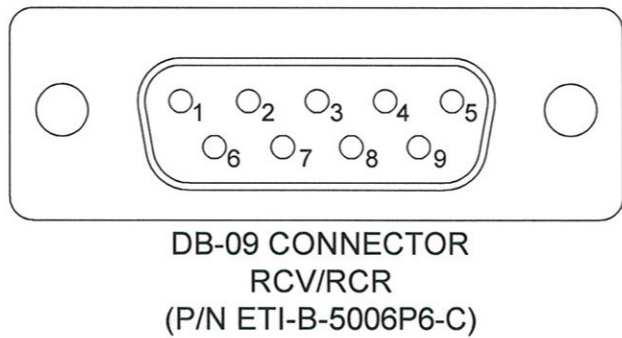
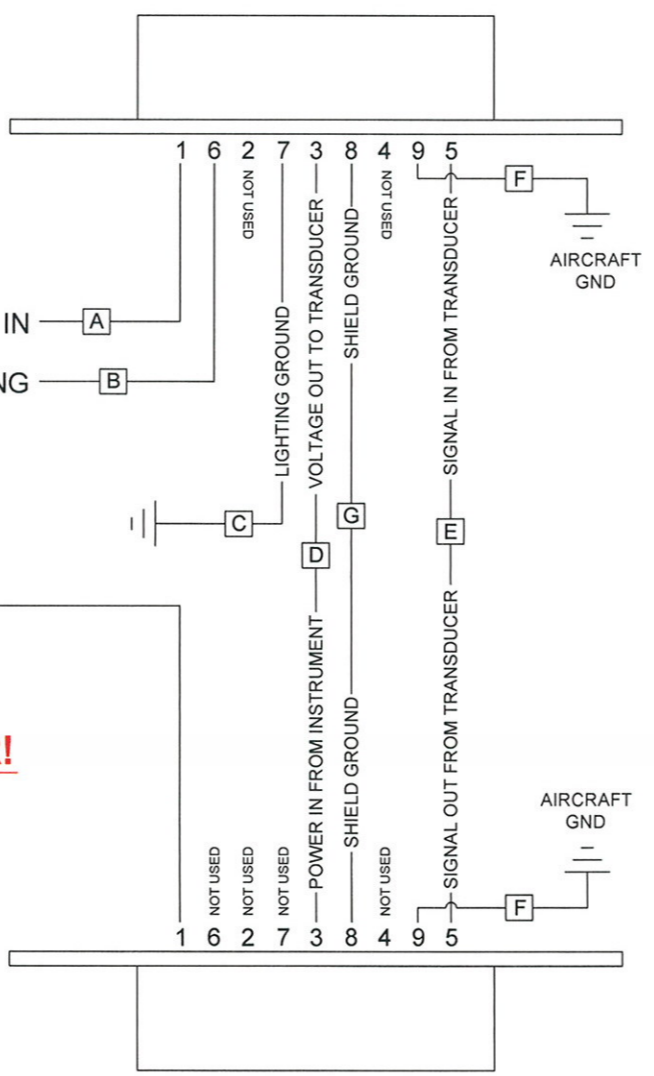
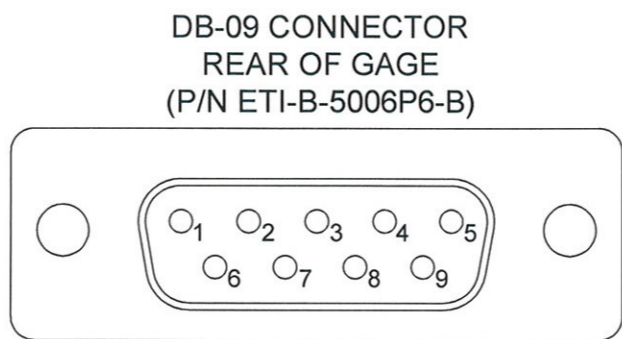
SUPPLEMENTAL OXYGEN SYSTEM WITH REMOTELY LOCATED PRESSURE GAGE AND AN ON/OFF SWITCH

SWITCH ASSEMBLY, ETI-B-5006P6-D



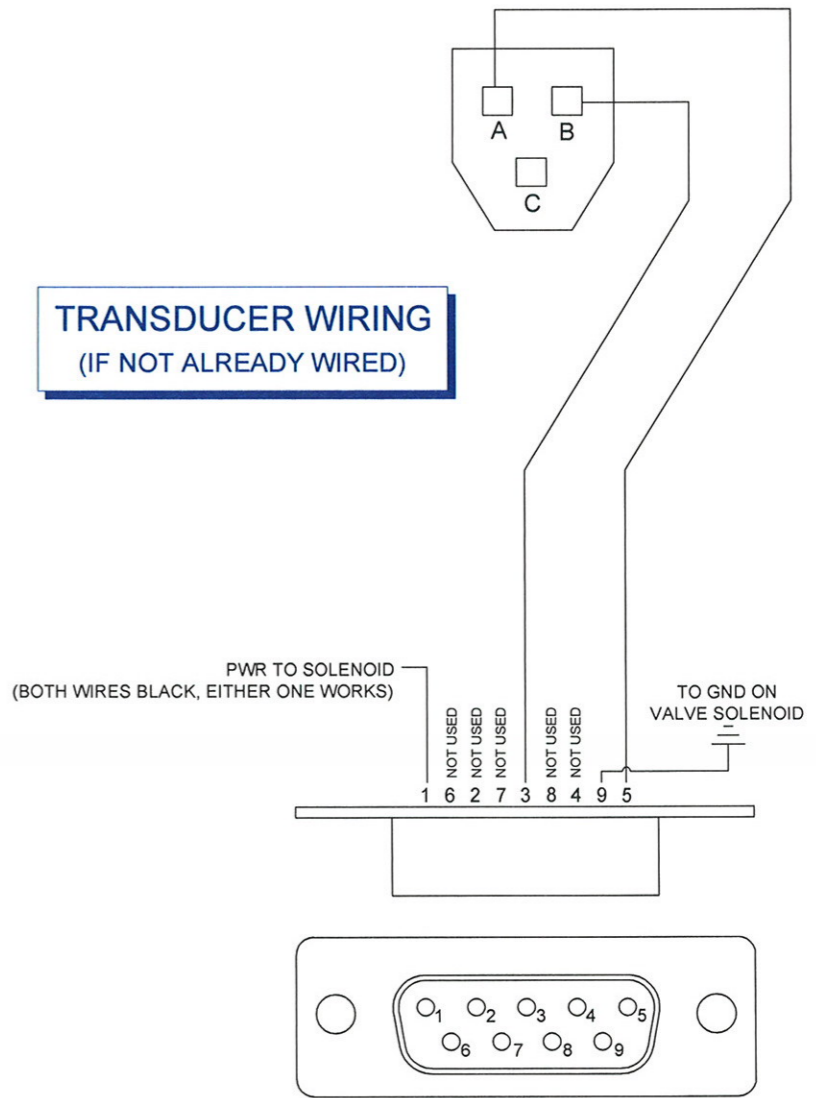
WARNING!: DO NOT REVERSE POLARITY ON TRANSDUCER!

NOTE(S):
 1. ALL WIRE 18 OR 20 AWG MIL-W-22759/16
 2. GAGE WAS UPDATED TO INCLUDE CIRCUIT PROTECTION AND USE OF EITHER 12V OR 24V OPERATION



TRANSDUCER CONNECTOR

TRANSDUCER WIRING (IF NOT ALREADY WIRED)



RCV/RCR CONNECTOR

QTY.	PART NUMBER	MATERIAL	SPECIFICATION	DESCRIPTION
UNLESS OTHERWISE SPECIFIED				
DIMENSIONS ARE IN INCHES				
TOLERANCES ARE				
DECIMALS	MACH.	ANGLES	FORMED	
.00±.00		±0°30'	±1°	
.000±.010				
FRACTIONS: ± 1/16				
DRAWN: CALEB CHRISTIAN		2/23/09		TITLE: LAY DOWN BOTTLE OXYGEN SYSTEM
CHECK: K. CHAMBLESS		9/23/09		
STRESS:				
APPROVED: G. BRALY		9/23/09		DRAWING NO.: 35-4950003
SCALE: NTS CAD DRAWING:				REV. A
				SHEET: 4 OF 4